

# ECONOSEAL<sup>®</sup>

## ECONOPACKER



### Semi-Automatic, Compact Casepacker

The ECONOPACKER is a semi-automatic case packer that provides a lower cost, first step to reducing labor and automating the case packing process. Typical uses include case packing of all types of multipacked cartoned, canned, and miscellaneous products.



### Method of Operation:

1. Products enter the Econopacker at random via the infeed belt conveyor.
2. The machine will automatically collate products into the appropriate pack pattern.
3. An operator places a case onto the horizontal loading station by positioning the open end of the case over the loading funnel and presses the foot pedal.
4. The product is automatically loaded into the positioned case.
5. The loaded case is then pneumatically lowered onto its bottom and exits via the roller conveyor to a case taper or gluer (case sealer not included).

### Machine features include:

- Heavy duty, welded stainless frame
- Broad size range
- Simple and fast size changeover
- Expandable for further levels of automation
- Flexibility to run RSC and die cut designs
- Accommodates both corrugated and paperboard materials.

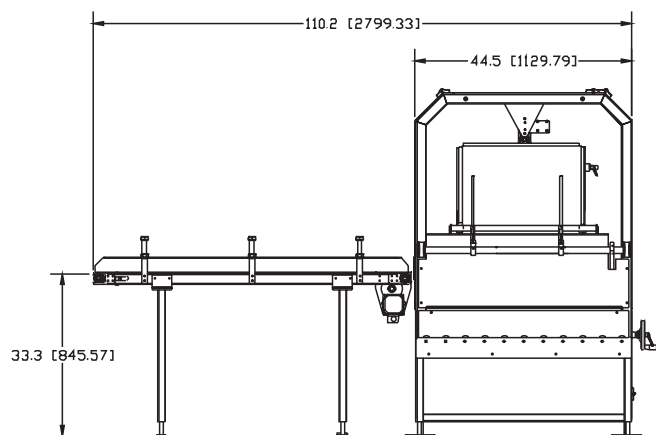
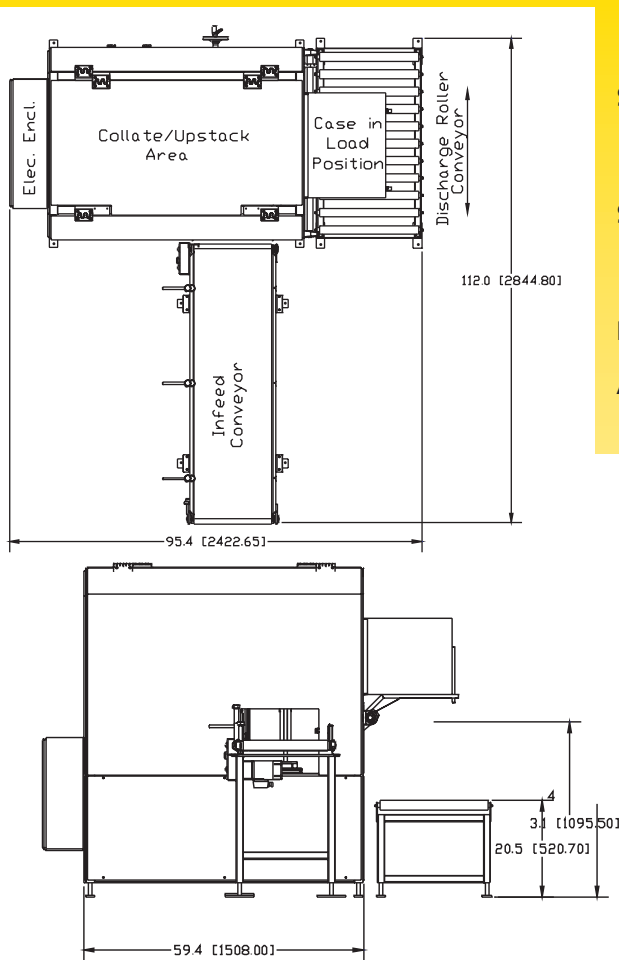
## ECONOPACKER ENGINEERING DETAILS

**Size Range:** (Carton Size)  
Min. 8" x 6" x 4" (203 x 152 x 102mm)  
Max. 24" x 16" x 18" (609 x 406 x 457mm)

**Speed:** Up to 600 cartons per hour depending on case style, product flow, operator dexterity and other factors.

**Electrical:** 220 volts 50/60 Hz, Single Phase.

**Air:** 80 psi (5.5 bar). Consumption 3.0 CFM (86 liters/min).



Machines available to handle carton sizes outside of range listed above quoted on request. Note: All dimensions are approximate. Subject to change.



Proudly represented by:

Haluan Sistem Integrasi / +6289508054752 / info@haluansistemintegrasi.com / www.haluansistemintegrasi.com